

## SMD LED LAMP

BL-LS3806A0S1

### Features:

- 3.8mmx0.6mm SMD, 1.2mm THICKNESS side emitting
- Mono-color type, Ultra brightness
- Compatible with automatic placement equipment
- WIDE VIEWING ANGLE.
- IDEAL FOR BACKLIGHT AND INDICATOR.
- PACKAGE: 2KPCS/REEL
- RoHs Compliance



### ■ Electrical-optical characteristics: (Ta=25°C) (Test Condition: IF=20mA)

Part Number	Chip			Lens Type	Forward Voltage(VF) Unit:V		Luminous Intensity (lv) Unit:mcd		Viewing Angle 2θ1/2 (deg)
	Emitted Color	Material	λ <sub>P</sub> (nm)		Typ	Max	Min.	Typ.	
					BL-LS3806A0S1UEC	Ultra Red	AlGaAs	630	
BL-LS3806A0S1UYO	Ultra Amber	AlGaInP	610	Water Clear	2.10	2.60	500	600	
BL-LS3806A0S1UYC	Ultra Yellow	AlGaInP	593		2.10	2.60	500	600	
BL-LS3806A0S1UGC	Ultra Green	AlGaInP	575		2.20	2.70	70	80	
BL-LS3806A0S1PGC	Ultra Pure Green	InGaN	525		3.10	3.80	1300	1500	
BL-LS3806A0S1UBC	Ultra Blue	InGaN	470		3.10	3.80	450	500	
BL-LS3806A0S1UWC	Ultra White	InGaN	/		3.10	3.80	1900	2100	

### ■ Absolute maximum ratings (Ta=25°C)

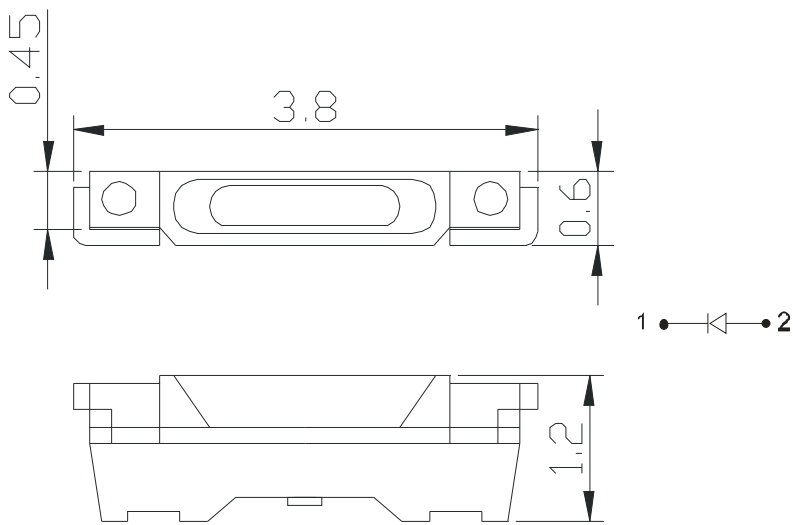
Parameter	UE	UYO	UY	UG	PG	UB	UW	Unit
Forward Current I <sub>F</sub>	30	30	30	30	30	30	30	mA
Power Dissipation P <sub>d</sub>	78	78	78	78	78	78	78	mW
Reverse Voltage V <sub>R</sub>	5	5	5	5	5	5	5	V
Peak Forward Current I <sub>PF</sub> (Duty 1/10 @1KHZ)	100	100	100	100	100	100	100	mA
Operation Temperature T <sub>OPR</sub>	-30 to +80							°C
Storage Temperature T <sub>STG</sub>	-40 to +85							°C
Lead Soldering Temperature T <sub>SOL</sub>	Max.260±5°C for 3 sec Max. (1.6mm from the base of the epoxy bulb)							°C

## SMD LED LAMP

BL-LS3806A0S1

### ■ Package configuration & Internal circuit diagram

BL-LS3806A0S1



#### Notes:

1. All dimensions are in millimeters (inches)
2. Tolerance is  $\pm 0.25(0.01)$  unless otherwise noted.
3. Specifications are subject to change without notice.

# SMD LED LAMP

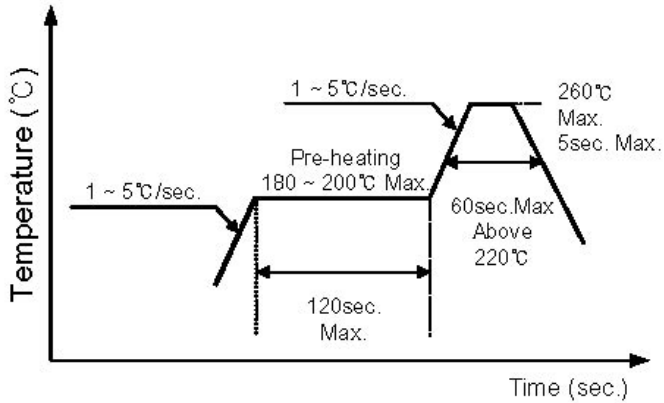
BL-LS3806A0S1

## ■ Tape Specifications

### Smt Reflow Soldering Instructions

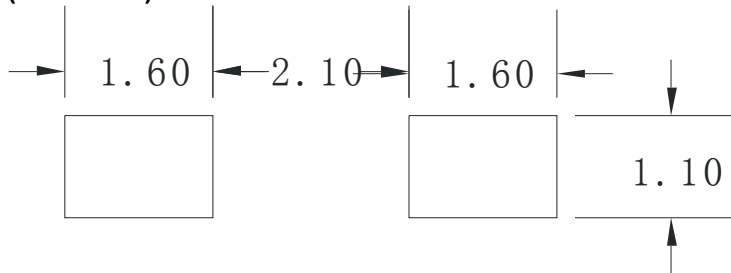
Number of reflow process shall be less than 2 times and cooling process to normal temperature is required between first and second soldering process

#### ■ Lead-free Solder



### Recommended Soldering Pattern

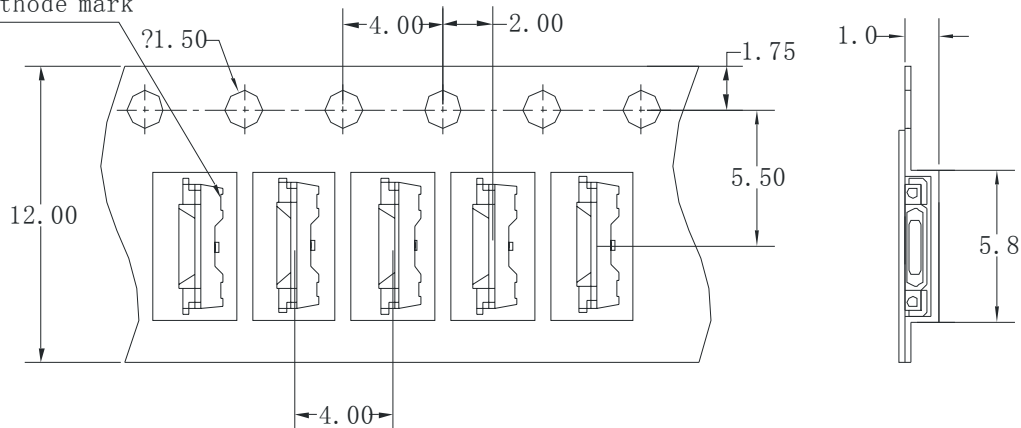
(Units:mm)



### Tape Specifications

(Units:mm)

Cathode mark



**SMD LED LAMP**

BL-LS3806A0S1

**SELECTION CODE FOR SUPER BRIGHT LEDS**

Group	brightness (mcd) @20mA		Group	brightness (mcd) @20mA	
	min	max		min	max
D	50	80	L	550	750
E	80	120	M	750	1000
F	120	170	N	1000	1300
G	170	230	P	1300	1700
H	230	300	Q	1700	2200
J	300	400	R	2200	3000
K	400	550	S	3000	4000

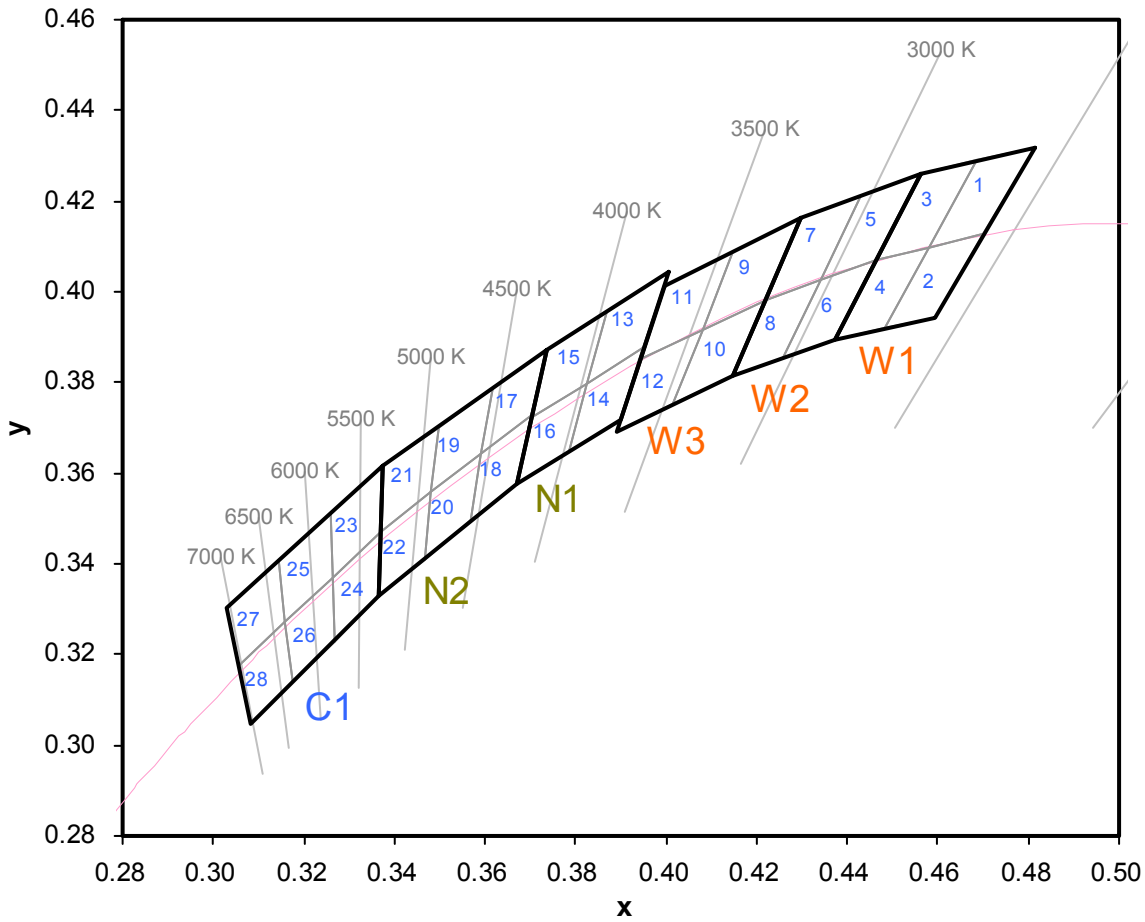
**forward voltage Ranks**

Group	Voltage (V)		Group	Voltage (V)	
	min	max		min	max
A	1.7	1.9	K	3.6	3.8
B	1.9	2.1	L	3.8	4
C	2.1	2.3	M	4	4.2
D	2.3	2.5	N	4.2	4.4
E	2.5	2.8	P	4.4	4.6
F	2.8	3	Q	4.6	4.8
G	3	3.2	R	4.8	5
H	3.2	3.4	S	5	5.2
J	3.4	3.6	T	5.2	5.4

**SMD LED LAMP**

BL-LS3806A0S1

**Color Temperature Bin**



CODE	x	y
W1	0.4373	0.3893
	0.4562	0.4260
	0.4813	0.4319
	0.4593	0.3944
	X	Y
W2	0.4147	0.3814
	0.4299	0.4165
	0.4562	0.4260
	0.4373	0.3893
	X	Y
W3	0.3889	0.3690
	0.3996	0.4015
	0.4299	0.4165
	0.4147	0.3814

CODE	X	Y
N1	0.3670	0.3578
	0.3736	0.3874
	0.4006	0.4044
	0.3898	0.3716
	X	Y
N2	0.3481	0.3557
	0.3376	0.3616
	0.3592	0.3641
	0.3670	0.3578
	X	Y
C1	0.3160	0.3274
	0.3028	0.3304
	0.3265	0.3371
	0.3364	0.3328

**SMD LED LAMP**

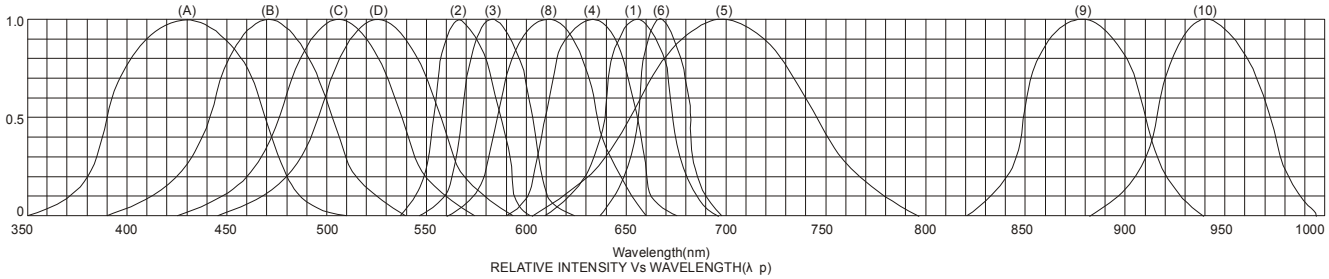
BL-LS3806A0S1

CODE	x	y	CODE	x	y	CODE	x	y	CODE	x	y
1	0.4582	0.4099	8	0.4147	0.3814	15	0.3702	0.3722	22	0.3481	0.3557
	0.4687	0.4289		0.4221	0.3984		0.3736	0.3874		0.3370	0.3472
	0.4813	0.4319		0.4342	0.4028		0.3869	0.3958		0.3364	0.3328
	0.4700	0.4126		0.4259	0.3853		0.3825	0.3798		0.3466	0.3411
2	0.4483	0.3919	9	0.4080	0.3916	16	0.3670	0.3578	23	0.3376	0.3616
	0.4582	0.4099		0.4146	0.4089		0.3702	0.3722		0.3260	0.3512
	0.4700	0.4126		0.4299	0.4165		0.3825	0.3798		0.3265	0.3371
	0.4593	0.3944		0.4221	0.3984		0.3783	0.3646		0.3370	0.3472
3	0.4465	0.4071	10	0.4017	0.3751	17	0.3736	0.3874	24	0.3370	0.3472
	0.4562	0.4260		0.4080	0.3916		0.3616	0.3788		0.3265	0.3371
	0.4687	0.4289		0.4221	0.3984		0.3592	0.3641		0.3270	0.3230
	0.4582	0.4099		0.4147	0.3814		0.3703	0.3726		0.3364	0.3328
4	0.4373	0.3893	11	0.3941	0.3848	18	0.3703	0.3726	25	0.3260	0.3512
	0.4465	0.4071		0.3996	0.4015		0.3592	0.3641		0.3144	0.3408
	0.4582	0.4099		0.4146	0.4089		0.3568	0.3495		0.3160	0.3274
	0.4483	0.3919		0.4080	0.3916		0.3670	0.3578		0.3265	0.3371
5	0.4342	0.4028	12	0.3889	0.3690	19	0.3616	0.3788	26	0.3265	0.3371
	0.4430	0.4212		0.3941	0.3848		0.3496	0.3702		0.3160	0.3274
	0.4562	0.4260		0.4080	0.3916		0.3481	0.3557		0.3175	0.3139
	0.4465	0.4071		0.4017	0.3751		0.3592	0.3641		0.3270	0.3230
6	0.4259	0.3853	13	0.3825	0.3798	20	0.3592	0.3641	27	0.3144	0.3408
	0.4342	0.4028		0.3869	0.3958		0.3481	0.3557		0.3028	0.3304
	0.4465	0.4071		0.4006	0.4044		0.3466	0.3411		0.3055	0.3177
	0.4373	0.3893		0.3950	0.3875		0.3568	0.3495		0.3160	0.3274
7	0.4221	0.3984	14	0.3783	0.3646	21	0.3496	0.3702	28	0.3160	0.3274
	0.4299	0.4165		0.3825	0.3798		0.3376	0.3616		0.3055	0.3177
	0.4430	0.4212		0.3950	0.3875		0.3370	0.3472		0.3081	0.3049
	0.4342	0.4028		0.3898	0.3716		0.3481	0.3557		0.3175	0.3139

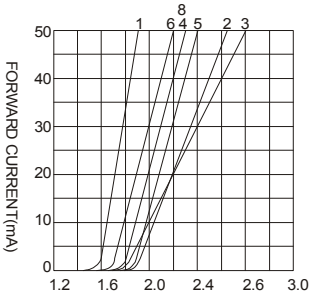
# SMD LED LAMP

BL-LS3806A0S1

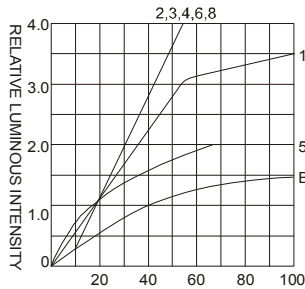
## Typical electrical-optical characteristics curves:



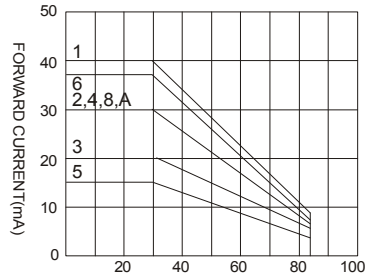
- (1) - GaAsP/GaAs 655nm/Red
- (2) - GaP 570nm/Yellow Green
- (3) - GaAsP/GaP 585nm/Yellow
- (4) - GaAsP/GaP 635nm/Orange & Hi-Eff Red
- (5) - GaP 700nm/Bright Red
- (6) - GaAlAs/GaAs 660nm/Super Red
- (8) - GaAsP/GaP 610nm/Super Red
- (9) - GaAlAs 880nm
- (10) - GaAs/GaAs & GaAlAs/GaAs 940nm
- (A) - GaN/SiC 430nm/Blue
- (B) - InGaN/SiC 470nm/Blue
- (C) - InGaN/SiC 505nm/Ultra Green
- (D) - InGaAl/SiC 525nm/Ultra Green



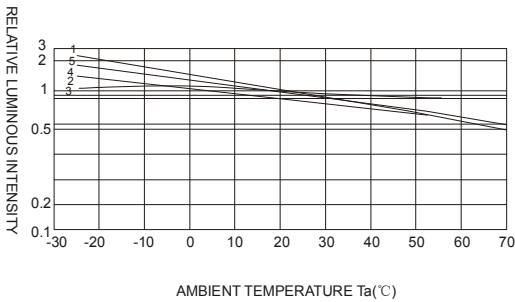
FORWARD VOLTAGE (Vf)  
FORWARD CURRENT VS.  
FORWARD VOLTAGE



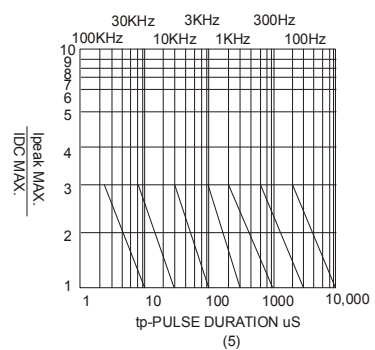
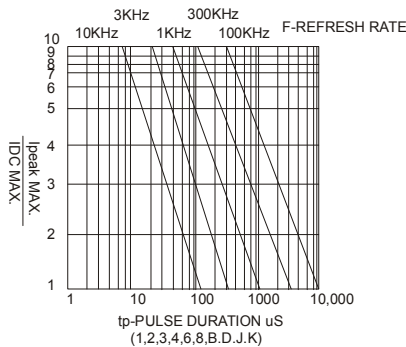
FORWARD CURRENT (mA)  
RELATIVE LUMINOUS  
INTENSITY VS. FORWARD  
CURRENT



AMBIENT TEMPERATURE Ta(°C)  
FORWARD CURRENT VS. AMBIENT  
TEMPERATURE



AMBIENT TEMPERATURE Ta(°C)



NOTE:25°C free air temperature unless otherwise specified

**SMD LED LAMP**

**BL-LS3806A0S1**

■ **Packing and weighting**

