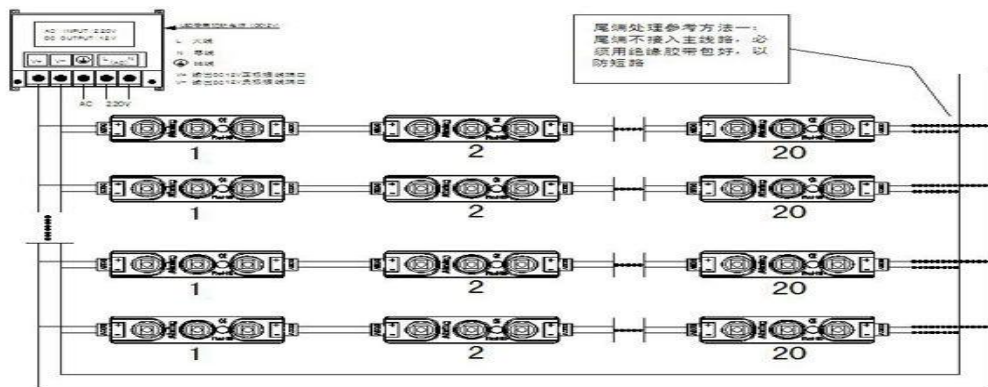


Technical Parameters

Model	BLC-5004
LEDs	3528 SMD LED
Light Color	R/G/B/Y/W/CW/WW
Beam Angle	120°
LED Qty	3pcs
Luminous Flux	W/CW/WW: 18-24lm
CCT	W: 6000~7000K CW:9000~12000K WW: 2700~3300K
Life Span	50, 000h
OperatinNg Voltage	DC12V
Power Consumption	0.3W/module
Drive model	Constant Voltage
Cases	ABS / Flame-retardant / anti-UV/ anti-static
Dimension	72*11.5*5.6
Ingress Protection	IP65
Connection	20pcs/chain
Operating Temp	-30℃ ~ +60℃
Storage Temp.	-40℃ ~ +80℃

The tech-specification may be changed because of the technology improvement.

Connection



Application

Backlighting of light boxes (Depth: 50-120mm)

Backlighting of letters (Depth: 50-120mm)

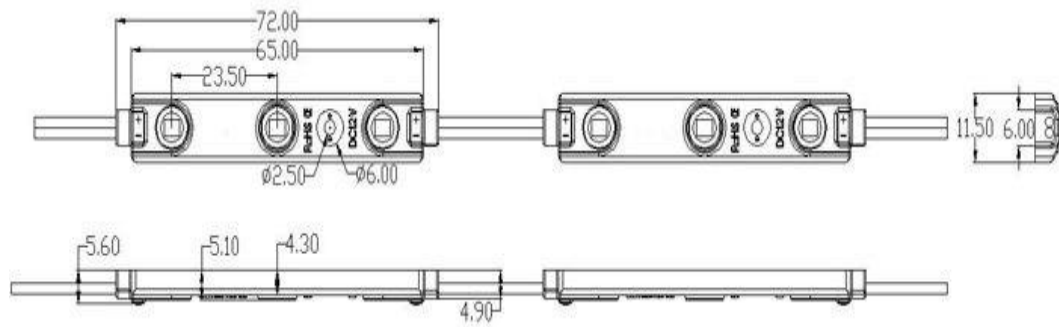
Signage and illuminated advertising (Depth: 50-120mm)



Features:

- One BLC-5004 plus module chain comprises 20pcs individual modules
- Two LEDs per module
- Ingress protection IP65
- Pre-mounted adhesive tape allows easy mounting
- 12V DC power supply
- Integrated heat sink solution
- Lighting colors: W/RGB/Y for optional

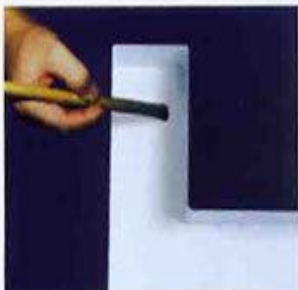
- Dimension (unit: mm):



- Notes:

1. Power wire should be ≤ 5 m.
2. 20pcs modules per chain maximum.

Usage



1, Clean the surface



2 put Two-face Adhesive on



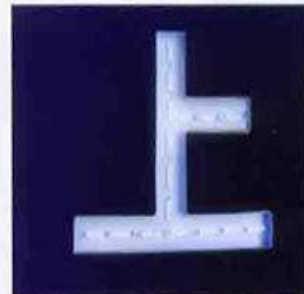
3, Arrange the modules in order



4, Fasten the module with bolt



5, Cut off the odds and fix wires



6, power with Switch Power Supply and test

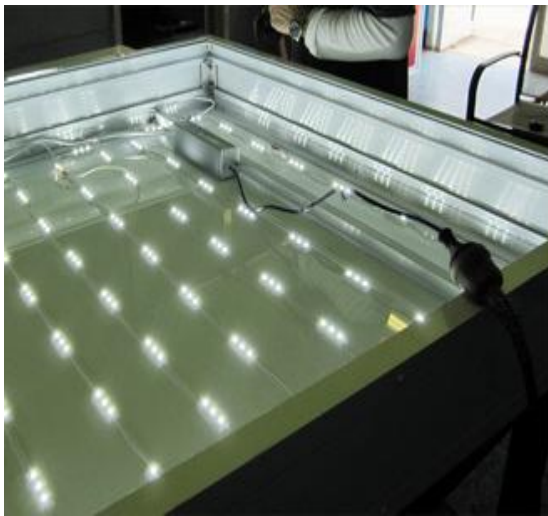


Application



LED module used for lighting channel letter making:







Process





product certification:

产品认证：CE FC ROSH