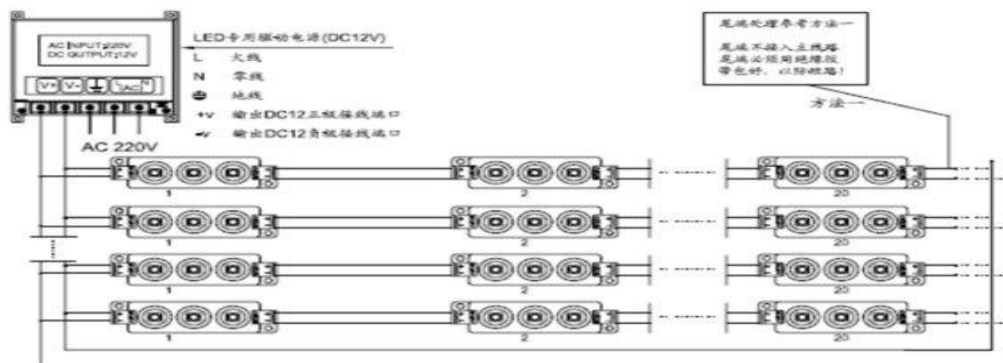


Technical Parameters

Model	BLD-5201
LEDs	SMD 5050 LED
Light Color	R/G/B/Y/W/CW/WW
Beam Angle	120°
LED Qty	3pcs
Life time	50, 000h
Luminous Flux	60lm
CCT	W:6000~7000K, CW:9000~12000K,WW:2700~3300K
Input Voltage	DC12V
Power Consumption	0.72W
Drive Method	Constant Voltage
Connection	20pcs
Cases	Anti-static , flame retardant ,ABS+anti-UV
Dimension	68.2*19.5*5.7mm
Installation	Adhesive tape and M3 screw
Operating Temp	-40℃ ~ +60℃
Storage Temp	-50℃ ~ +80℃
Ingress Protection	IP65

The tech-specification may be changed because of the technology improvement.

Connection



Application

Backlighting of light boxes

Backlighting of letters

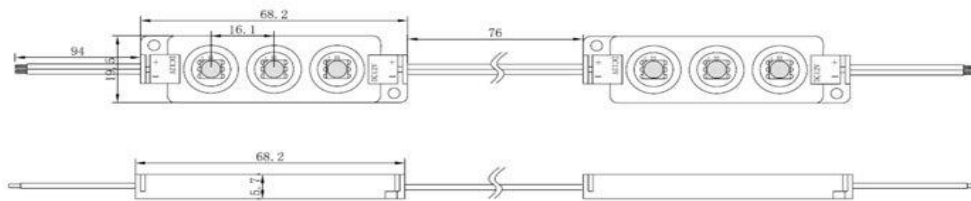
Signage and illuminated advertising



Features:

- One BLD-5201 plus module chain comprises 20pcs individual modules
- Three LEDs per module
- Ingress protection IP65
- Pre-mounted adhesive tape and screw allows easy mounting
- 12V DC power supply
- Integrated heat sink solution
- Lighting colors:W/RGB/Y for optional
- Original LG ABS cases material

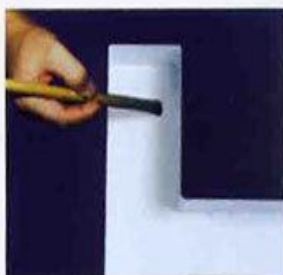
Dimension (unit: mm):



Notes:

1. Power wire should be $\leq 5m$.
2. 2.20pcs modules per chain maximum.

Usage



1, Clean the surface



2 put Two-face Adhesive on



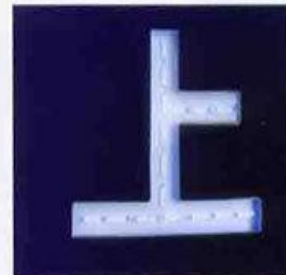
3, Arrange the modules in order



4, Fasten the module with bolt



5, Cut off the odds and fix wires



6, power with Switch Power Supply and test

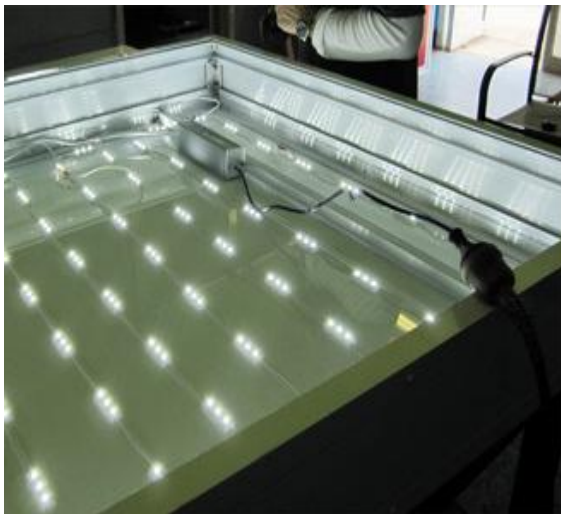


Application



LED module used for lighting channel letter making:







Process





product certification:

产品认证：CE FC ROSH