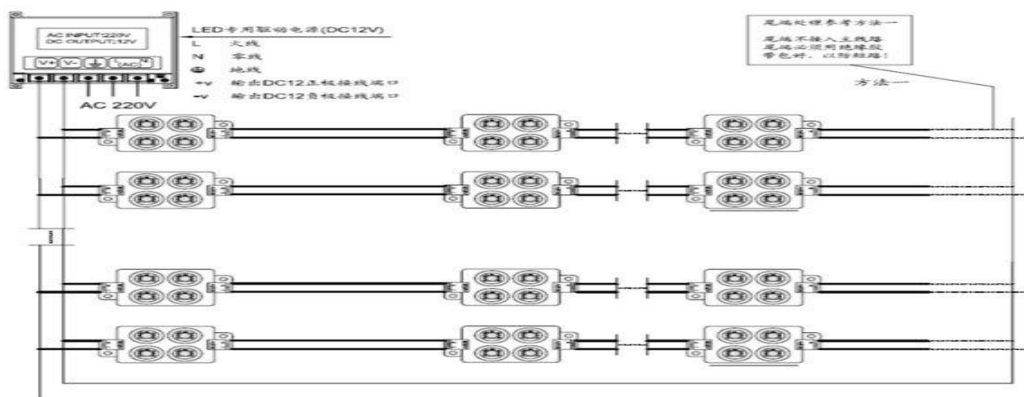


## Technical Parameters

Model	BLD-5202
LEDs	5050 SMD LED
Color Light	R/G/B/Y/W/CW/WW
Beam Angle	120°
LED Qty	4pcs
Luminous Flux	80-88lm
CCT	W:6000~7000K, WW:2700~3300K ,CW: 9000-12000K
Input Voltage	DC12V
Power Consumption	1.44W
Drive Method	Constant Voltage
Cases	ABS material ; anti-UV; flame retardant ,anti-static
Dimension	54.8*33.2*5.9mm
Installation	Adhesive tape and M3 screw
Ingress Protection	IP65
Operating Temp	-30℃ ~ +60℃
Storage Temp	-40℃ ~ +80℃

The tech-specification may be changed because of the technology improvement.

## Connection



## Application

Backlighting of light boxes

Backlighting of letters

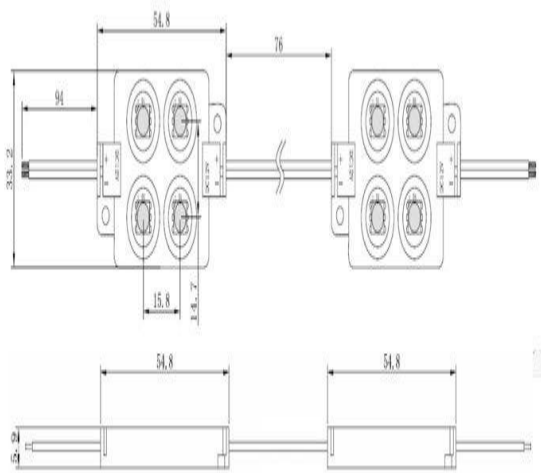
Signage and illuminated advertising



## Features:

- One BLD-5202 plus module chain comprises 20pcs individual modules
- Three LEDs per module
- Ingress protection IP65
- Pre-mounted adhesive tape and screw allows easy mounting
- 12V DC power supply
- Integrated heat sink solution
- Lighting colors:W/RGB/Y for optional
- Original LG ABS cases material

- Dimension (unit: mm):



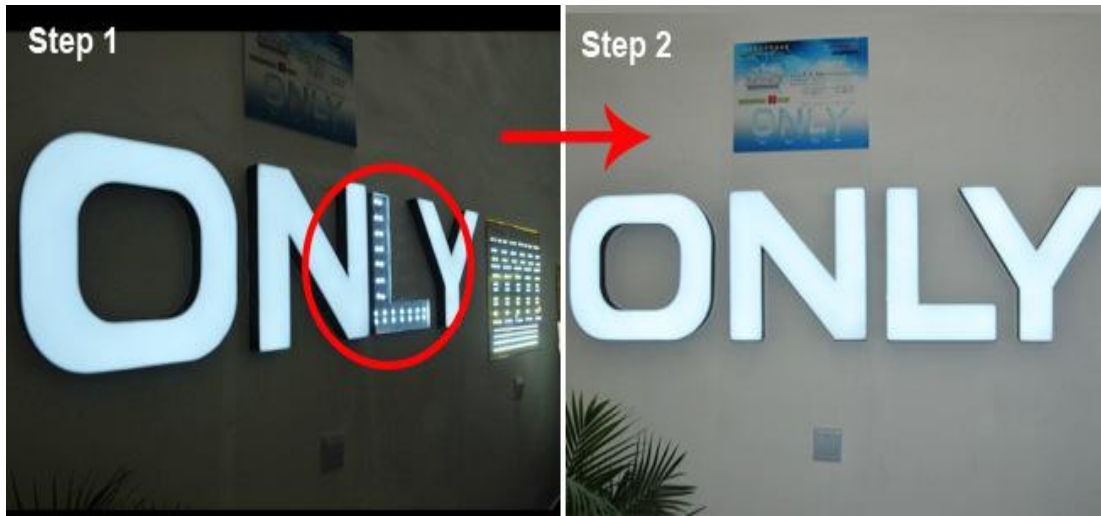
BLD-5202

### Notes:

1. Power wire should be  $\leq 5m$ .
2. 20pcs modules per chain maximum.

## Usage

<p>1, Clean the surface</p>	<p>2 put Two-face Adhelsive on</p>	<p>3, Arrange the modules in order</p>
<p>4, Fasten the module with bolt</p>	<p>5, Cut off the odds and fix wires</p>	<p>6, power with Switch Power Supply and test</p>

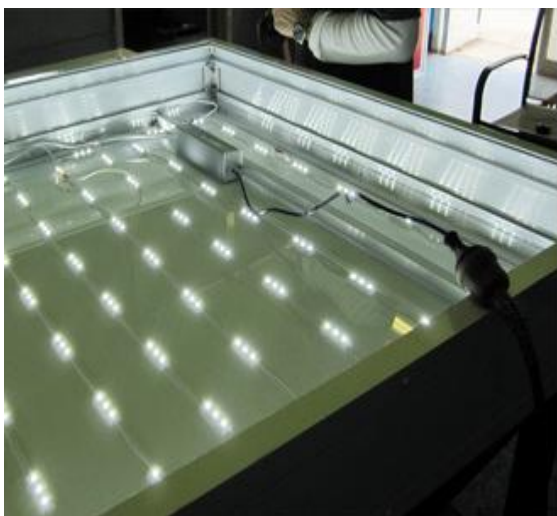


## Application



LED module used for lighting channel letter making:







# Process







**product certification:**

产品认证：CE FC ROHS