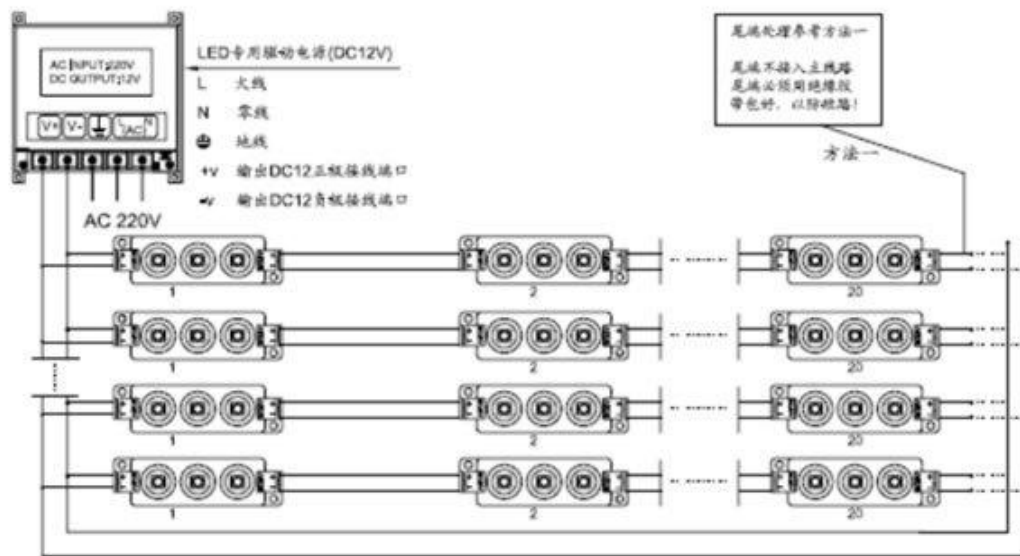


## Technical Parameters

Model	BLD-5730-3
LEDs	5730 SMD LED
Light Color	R/G/B/Y/W/CW/WW
Beam Angle	120°
LED Qty	3pcs
Life time	50, 000h
Luminous Flux	165lm/pcs
CCT	W: 6000~7000K ; WW: 2700~3300K ; CW: 9000-12000K
Input Voltage	DC12V
Power Consumption	1.5W
Drive Method	Constant Voltage
Connection	20pcs
Cases	ABS material ; anti-UV; flame retardant ,anti-static
Dimension	68.2*19.5*5.7mm
Installation	Adhesive tape and M3 screw
Ingress Protection	IP65
Operating Temp	-30℃ ~ +60℃
Storage Temp	-40℃ ~ +80℃

The tech-specification may be changed because of the technology improvement.

## Connection



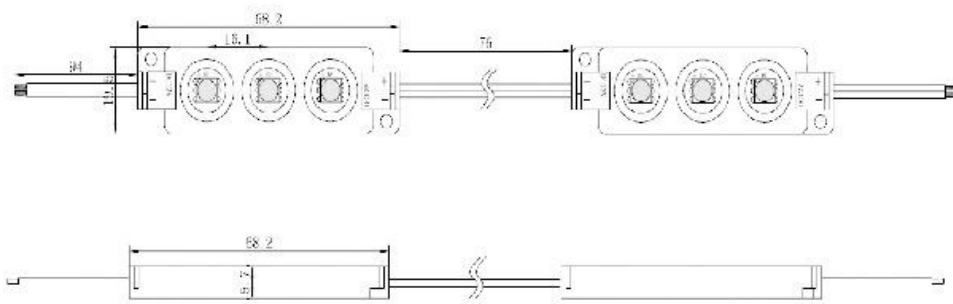
## Application

- Backlighting of light boxes
- Backlighting of letters
- Signage and illuminated advertising

## Features:

- One BLD-5730-3 plus module chain comprises 20pcs individual modules
- Three LEDs per module
- Ingress protection IP65
- Pre-mounted adhesive tape and screw allows easy mounting
- 12V DC power supply
- Integrated heat sink solution
- Lighting colors:W/RGB/Y for optional
- Original LG ABS cases material

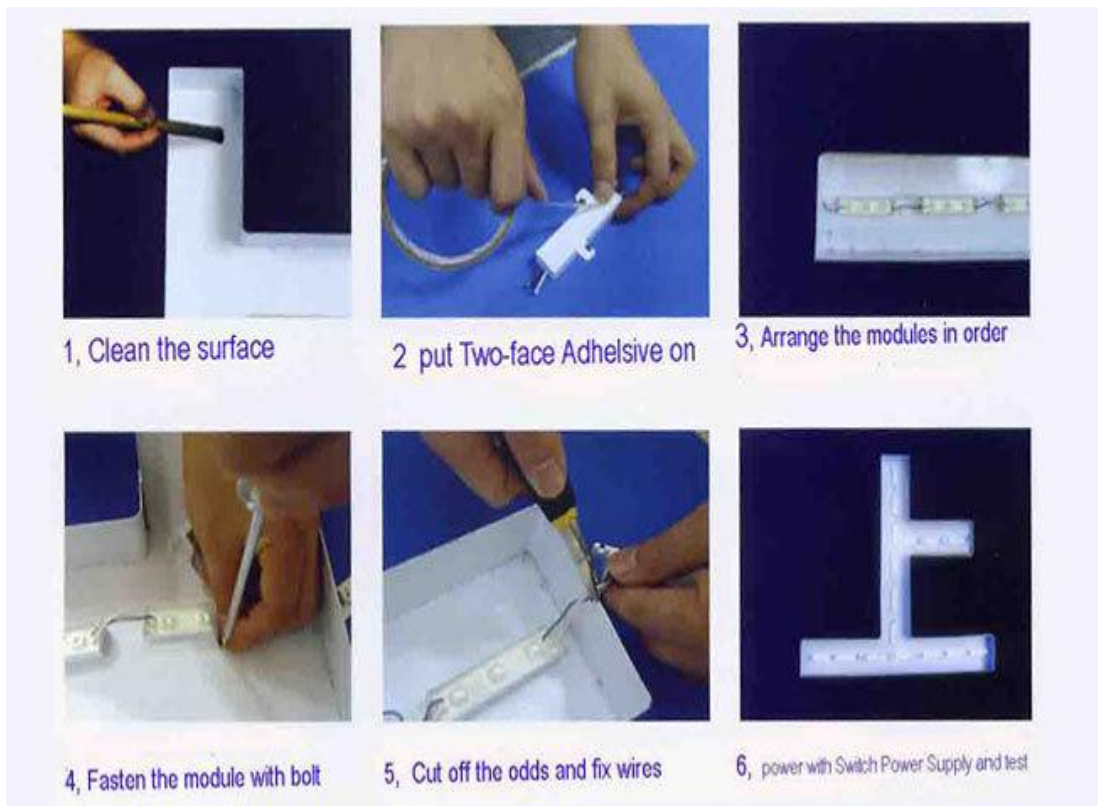
- Dimension (unit: mm):



- Notes:

1. Power wire should be  $\leq 5m$ .
2. 20pcs modules per chain maximum.

## Usage



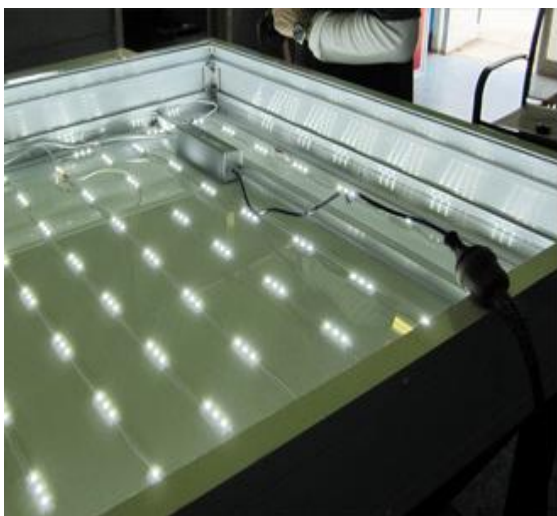


## Application



LED module used for lighting channel letter making:







# Process







product certification:  
产品认证: CE FC ROHS